

## PHD - HYDRAULIC



The safest most powerful planetary auger drive attachment range for tractors on the market today. The hydraulic ram provides maximum down pressure for the auger utilizing the full weight of the machine.

### Features

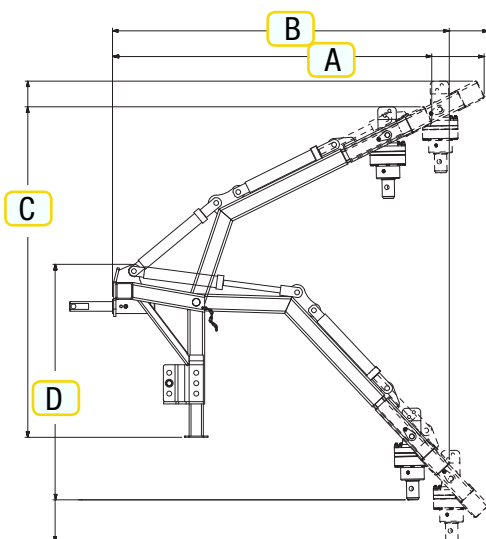
- High Quality Australian made gearbox
- Quality materials and manufacturing
- Industry leading gear box and motor warranty
- Lifetime shaft pullout warranty
- Heavy duty fully adjustable frame
- Hydraulic up and down with options to extend and retract
- Full power in both forward and reverse
- Hydraulic gearbox eliminates the need for a PTO shaft
- Adjustable in built stabilizer legs for ease of storing and fitment

### Ideal Uses

Post Hole Boring, fencing and tree planting

### Machine Suitability

Tractors with 3 point linkage, or 3 point linkage adapter with a minimum of 2 double acting Auxiliary ports.



Specifications	Retracted Boom	Extended Boom	Fixed Boom
Length (A)	1687	1960	1511
Length (B)	1785	1995	1650
Height (C)	1746-2126	1881-2261	1669-2049
Height (D)	1237	1457	1095
Width (Overall)	860	860	860
Flow (lpm)	75hp - 30-60 100hp - 45-85 XD - 55-107	75hp - 30-60 100hp - 45-85 XD - 55-107	75hp - 30-60 100hp - 45-85 XD - 55-107
Speed (rpm)	75hp - 40-81 100hp - 40-91 XD - 55-107	75hp - 40-81 100hp - 40-91 XD - 55-107	75hp - 40-81 100hp - 40-91 XD - 55-107
Weight (kgs)	245	245	213
Max Digging Depth (mm)	1770	1770	1770

## PTO - SHAFT DRIVEN 3 POINT AUGER DRIVE



Extendable boom model

The original PTO driven, down pressure drill with heavy duty clutch and frame. Easy to install and store.

### Features

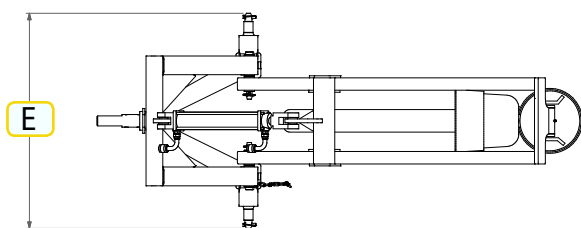
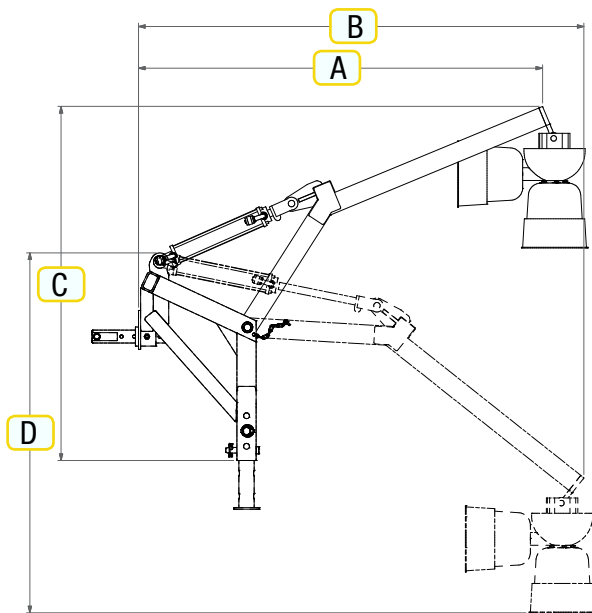
- High Quality Materials and Manufacturing
- PTO shaft cover for maximum safety
- Heavy duty fully adjustable frame
- Hydraulic up and down for maximum downforce
- Adjustable stabilizer legs for ease of storing and fitment
- Only requires one set of remotes
- Heavy Duty Clutch
- 50hp and 75hp Models available

### Ideal Uses

Post Hole Boring, fencing and tree planting

### Machine Suitability

Tractors with 3 point linkage, or 3 point linkage adapter with a minimum of 2 double acting Auxiliary ports.



Specifications	PTO Gearbox (fixed boom)
Length (A)	1640
Length (B)	1759
Height (C)	1395-1755
Height (D)	1411
Width (E)	862
Weight (kgs)	217 (50hp) / 250 (75hp)
Max Digging Depth	1708



Fixed boom model

## 3 POINT LINKAGE

Digga's 3 Point Linkage is ideal for those who need the post hole boring application without the power of the Ramdrill.

### Features:

- 3 models with 25HP, 50HP, and 75HP PTO driven motors
- 1m long auger retaining chain
- Heavy duty, yet economical

### Ideal Use:

Post hole boring for trees, fences, posts, etc.

### Machine Suitability:

Suits all tractors from 25HP to 75HP



Ramdrill PHD and Ramdrill PTO Models also available

Specifications:	TP-000015 - 3PL PTO DRIVEN 25HP	TP-000016 - 3PL PTO DRIVEN 50HP	TP-000017 - 3PL PTO DRIVEN 75HP
Length (Overall)	2318mm	2318mm	2318mm
Height (Overall)	897mm	897mm	897mm
Width (Overall)	671mm	671mm	671mm